

EXTRA² VAPORE



CALORIFIERS WITH 2 EXTRACTABLE HEAT EXCHANGERS FOR STEAM GENERATOR



APPLICATION
Production and storage of sanitary hot water. Suitable for steam generators.

MATERIAL
Material and finishings, suitable for drinkable water according to D. M. n. 174 dated 06.04.04;
- Mild steel Polywarm® coated (certification ACS- SSICA- DVGW- W270- UBA- WRAS).

HEAT EXCHANGER:
2 stainless steel 316L straight heat exchangers suitable for steam power

INSULATION
NOFIRE® polyester fibre 100% made of recyclable material, with high thermal insulation. Fire resistance class B-s2d0 according to EN 13501. Grey PVC external lining complete with top and flange

cover

CATHODE PROTECTION
Magnesium anode with anoden tester. Models > 1500 n° 2 magnesium anodes.

DRAIN
External confluence through drain connection.

GASKET- FLANGE PLATE
Silicone gaskets suitable for alimentary use for max temperature up to 192°C. Mild steel exchanger head with anticorrosion treatment.

WARRANTY
- 5 years-See general sales conditions and warranty.

ACCESSORIES AND SPARE PARTS: See Accessories section for the entire list.



EXTRA 2 WXC VT VAPORE

HEAT EXCHANGER SURFACE

Model	D.H.W. Storage: POLYWARM® coated Heat Exchanger: STAINLESS STEEL	Price €	Lower	Middle
			[m ²]	[m ²]
3000	3069162363008	9.303,00	3	3
4000	3069162363009	12.239,00	4	4
5000	3069162363010	14.838,00	5	5

Heat exchangers for steam generator technical data

Heat Exchangers	Model	PED	Upper heat Exchangers performances calculated with primary circuit at 6 bar saturated steam and production of DHW from 10° to 45°C				Upper heat Exchangers performances calculated with primary circuit at 3 bar saturated steam and production of DHW from 10° to 45°C			
			Output	DHW production		Ignition time	Output	DHW production		Ignition time
			[kW]	[l/h]	[l/10']	[min]	[kW]	[l/h]	[l/10']	[min]
Middle	3000	Cat. I	423	10393	4098	11	341	8378	3762	14
	4000	Cat. I	564	13857	5349	11	455	11171	4902	13
	5000	Cat. I	705	17321	6907	11	568	13963	6347	14
Lower	3000	Cat. I	423	10393	5438	17	341	8378	5102	22
	4000	Cat. I	564	13857	7031	17	455	11171	6583	21
	5000	Cat. I	705	17321	9097	17	568	13963	8537	22

Accessories on request

"Easy Control" Electronic Display

ART. NR.	€
5005000310002	433,00



Thermometer

Art. Nr.	€
5032240000107	80,00
5 units box	



Titanium electronic anode

Art. Nr.	€	Model
5200000000013	607,00	3000+5000

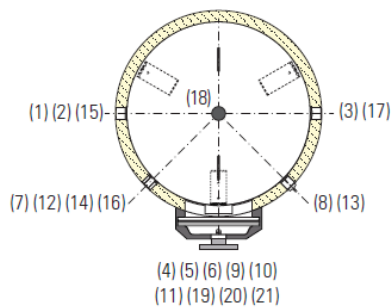
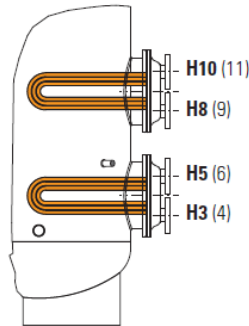
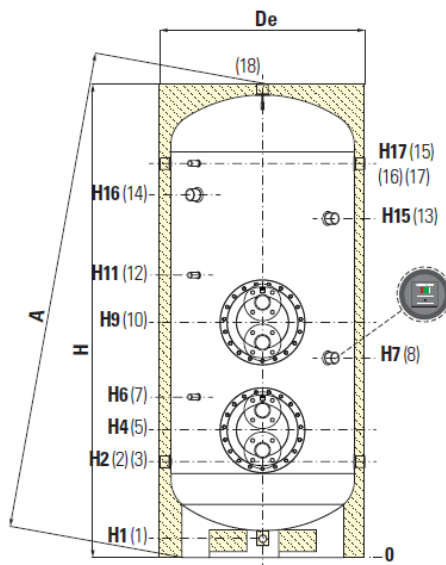
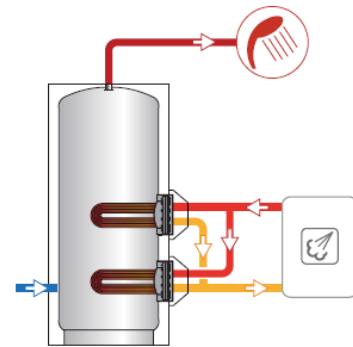


Suitable for Polywarm® coated models

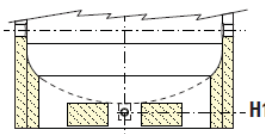
EXTRA2 VAPORE

CALORIFIERS WITH 2 EXTRACTABLE HEAT EXCHANGERS FOR STEAM GENERATOR

STORAGE		HEAT EXCHANGERS	
Pmax	Tmax	Pmax	Tmax
6 bar	90 °C	6 bar	165 °C



The calorifier have two grips on the bottom which allow the use of forklift when handling and already equipped with mounted drainage tube.



1	Drain 1" Gas F
2	Domestic cold water circuit inlet
3	Alternative domestic cold water circuit inlet or connection for more boilers
4	Outlet for condense
5	Heat exchanger flange
6	Steam circuit inlet
7-12	Connection for instrumentation 1/2" Gas F
8	Connection for magnesium anode 1"1/4 Gas F
9	Outlet for condense
10	Upper heat exchanger flange
11	Steam circuit inlet
13	Connection for 2nd anode 1"1/4 Gas F
14	Connection for electrical immersion 2" Gas F
15-17	Connection for recirculation or for domestic hot water
16	Connection for instrumentation 1/2" Gas F
18	Domestic hot water outlet

Model	Net Volume	Weight	De	H	A	H1	H2	H3	H4	H5	H6	H7
	[litres]	[Kg]										
3000	2921	440	1350	2811	3076	140	551	686	776	866	951	1036
4000	3766	620	1500	2875	3198	114	570	690	795	900	970	1035
5000	4986	763	1700	2915	3325	94	580	700	805	910	980	1035

Model	H8	H9	H10	H11	H15	H16	H17	5 10	2 3 15 17 18	4 6 9 11	7 12 16	8 13	21
	[mm]								Connections Gas F				
3000	1386	1476	1566	1651	2316	2232	2391	∅e 380	2"	DN50 PN16	1/2"	1"1/4	1"
4000	1390	1495	1600	1670	2315	2238	2410	∅e 430	2"	DN50 PN16	1/2"	1"1/4	1"
5000	1400	1505	1610	1680	2335	2265	2420	∅e 430	2"	DN50 PN16	1/2"	1"1/4	1"